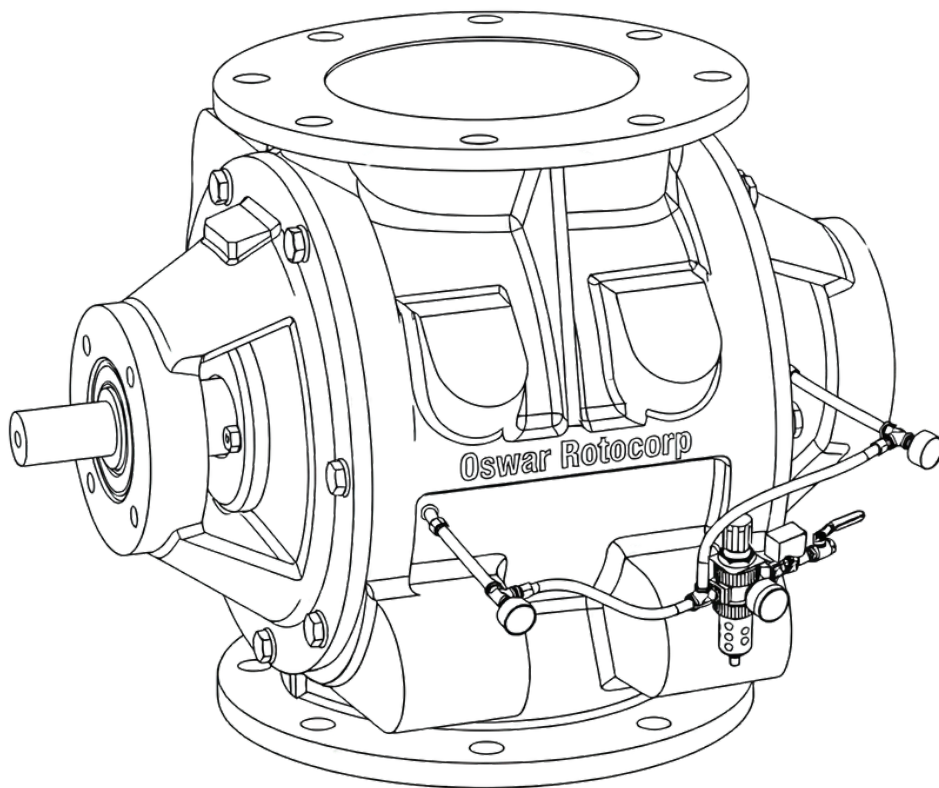



FOOD PROCESSING INDUSTRY

SAFE & EFFICIENT FOOD PRODUCTION



OSWAR
rotocorp



Food processing plants require controlled material handling systems that ensure product safety, hygiene, and consistent flow. From flour, sugar, starch, and spices to premix powders and food additives, maintaining clean transfer and accurate feeding is essential.

Oswar Rotocorp provides engineered flow control solutions designed specifically for food-grade powder and granular material handling. Our equipment integrates seamlessly into mixers, blenders, silos, dryers, and pneumatic conveying systems while supporting hygienic operation.

KEY PROCESS AREAS

FLOUR & POWDER
HANDLING

SUGAR & STARCH
DISCHARGE

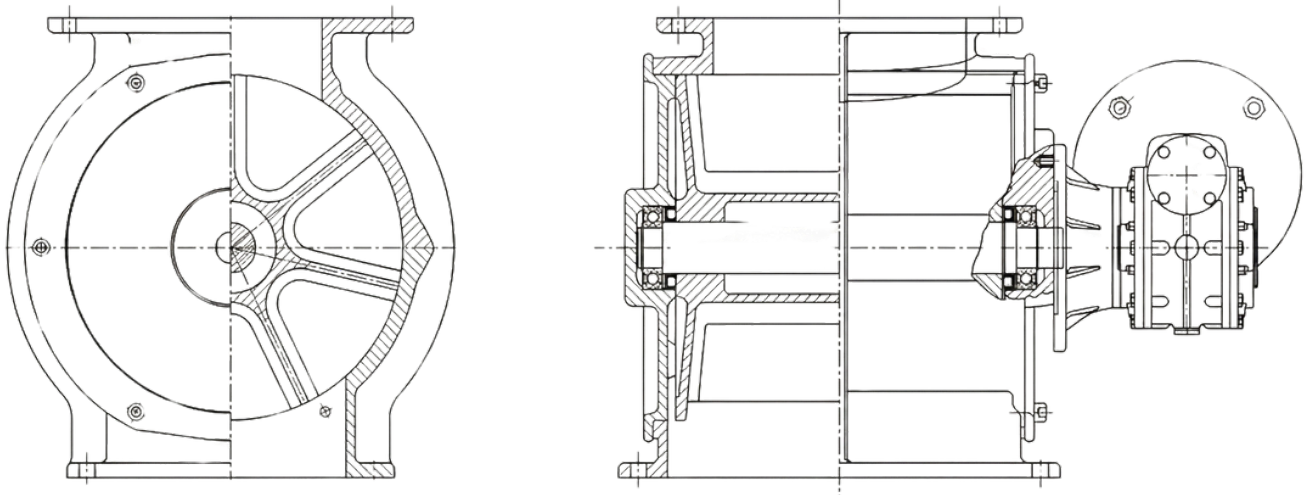
SPICE & ADDITIVE
FEEDING

DUST-
CONTROLLED
TRANSFER
SYSTEMS

DESIGNED FOR CLEAN OPERATION & PRODUCT INTEGRITY

Food processing applications demand smooth internal surfaces, controlled clearances, and reliable sealing to prevent contamination and material retention.

Rotary Valves are engineered with precision-machined components and optimized rotor geometry to ensure stable discharge and efficient airlock performance. Surface finishes are designed to reduce product buildup and simplify cleaning procedures.



SOLUTION PORTFOLIO INCLUDES:

- Hygienic Rotary Valves for Powder Discharge
- Precision Feeding Rotary Valves
- Pneumatic Pressure Rotary Valves
- Hygienic Slide Gate Valves
- Diverter Valves for Line Distribution
- Flap Valves / Gravity Gates for Dust Systems

SUPPORTING SAFE & CONSISTENT FOOD PRODUCTION

- **Stable & Controlled Material Feeding**
- **Reduced Risk of Contamination**
- **Smooth Internal Surfaces for Easy Cleaning**
- **Improved Airlock Efficiency**
- **Reliable Performance in Continuous Production**
- **Reduced Downtime & Maintenance**



OSWAR

rotocorp

Corporate Office

Jaipur, Rajasthan India
Nagpur, Maharashtra India

Sales Inquiries

info@oswarrotocorp.com

Helpline

[+44 7917 128505](tel:+447917128505) | +91 77422 36474

Copyright © 2026 OSWAR ROTOCORP. All Rights Reserved. OSWAR® is a registered trademark of **OSWAR ROTOCORP**. This brochure makes no offers, representations or warranties (express or implied), and information and data contained in this brochure are for general reference only and may change at any time.